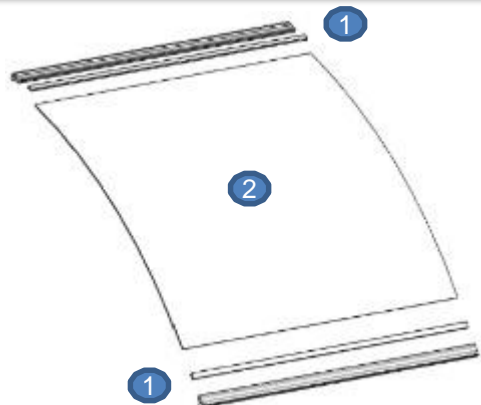




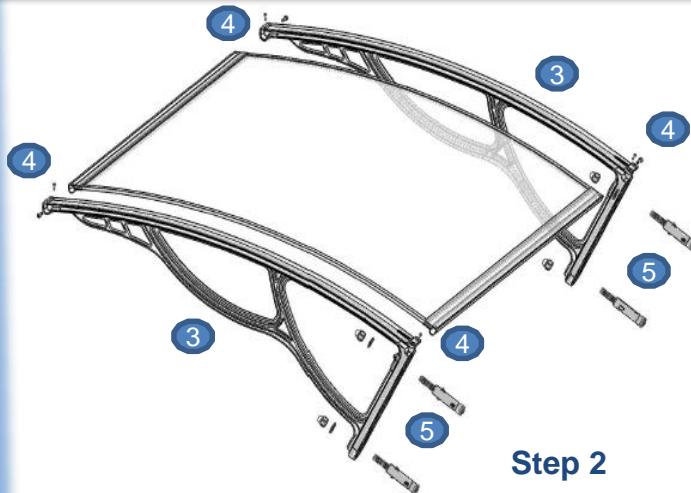
Covery *Modern Canopies*

CANOPY COVER-UP ECO MAXI / COVER UP ELITE 200




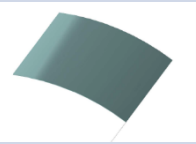
Instruction Manual and Assembly Guide



Step 1



Step 2

Pos.	Drawing	N° Pc.	Description	Pos.	Drawing	N° Pc.	Description
				3		3	Supporting Plastic Post
1		4	Aluminum Profile	4		2 Kit	4x Self-tapping Screws
2		2	Multiwall Polycarbonate sheets	5	Screws and rawplugs	2 Kit	4 screws for wall fixing

ASSEMBLY INSTRUCTIONS

Prepare the pre-assembled canopy before fixing it to the wall:

- Insert the polycarbonate Sheet (2) in the front and rear aluminum profiles (1). Make sure that the UV label facing is up !!!
- Insert the assembled sheet (2) +Aluminum (1) into the slot of the plastic frame (3)
- Secure with screws 2x (4) the plastic arm to the aluminum profiles
- Insert the other plastic arm and tighten all screws with other arm 2X (4)
- Add the second panel (2) to the middle post (3), fixing the external screws (4) and then securing the last plastic sheet, in order to generate a solid and tight structure.
- Drill 4 holes in the wall 4 suitable for attaching the canopy with the supplied screws (4). Consider a distance between the holes in height of 175 mm. Measure the distance between the holes for horizontal position.
- It is advisable to seal with a neutral silicon, the fissure between the rear aluminum profile and the wall



TOOLS RECOMMENDED FOR ASSEMBLY:

Hammer drill - Hammer (300 gr) - Slotted and Phillips screwdriver

RULES AND WARNINGS FOR INSTALLATION AND THE CORRECT USE OF THE PRODUCT

- Once you buy the product, carefully check that the package contains all the parts required for mounting and that they are not cracked or damaged. In case of need, contact the store for integration or replacement of damaged or missing product.
- The screws and the plugs for fixing the canopy to the wall are supplied for generic walls. Check the composition of the wall where the canopy will be installed, eventually buy different screw and plugs if necessary to generate a tight seal. An incorrect use of the anchor can compromise product anchor to the wall.
- Be sure to mount the polycarbonate sheet with UV written toward the top. Attention, in the event of incorrect assembly, we assume no liability for the durability and aging of the product.
- We recommend the application of silicone between the wall and the Alu profile to ensure a better seal of the product.
- Before final tightening of the product, please check with a level the correct position of the product and make the appropriate corrections.
- In case of installation of canopies with dimensions 120 and 150 cm, we recommend use of 2 persons for proper installation of the product to the wall
- The proper use for the product is as a canopy for protection from the sun and rain over the doors and windows of a house. Any other use of the product is to be considered improper and therefore not covered by warranty.
- In case of heavy snowfall, remove snow from the shelter.
- Do not hang any additional product to the canopy. Do not drill holes on the structure as they could compromise the seal of the shelter.
- Operating temperature: from -5 ° C to + 40 ° C.
- Wash the product with a mild detergent solution, not to scratch the plastic surfaces. Do not use hard brushes or abrasive cleaners.
- The product is not a toy: keep away from children during use and installation. Warning: choking hazard (for the presence of screws and gaskets)
- After installation, dispose of packaging in accordance with local legislation.
- The product is covered by a 2 years, starting from the date of purchase. Please retain a proof of purchase.
- Damage caused by incorrect use, misuse, use of force, negligence or assembly not in accordance with the manual of instructions cause the waiver of the manufacturer warranty.
- Damage caused by incorrect storage of the product, might cause the waiver of the manufacturer warranty.
- In case of problems and for spare parts, contact your authorized reseller.